



# BORMIO RENTAL

SUMMER 2024



powered by:



## ROAD, E-ROAD & E-GRAVEL BIKES

BICI DA STRADA, ELETTRICHE E GRAVEL

Book online your road bike and **save 10%**

Prenota la tua bici online e **risparmia il 10%**

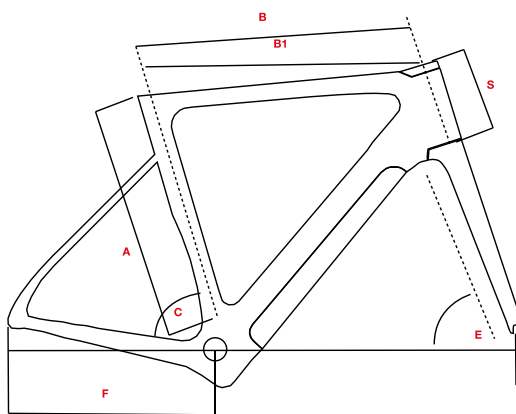
[BOOK ONLINE](#)



# ROAD BIKE 8AVIO ULTIMATE

<b>ANNO YEAR</b>	2024
<b>TELAIO FRAME</b>	UD Carbon Monocoque, internal cable routing
<b>MANUBRIO HANDLEBAR</b>	Bottecchia One Full carbon
<b>CAMBIO DERAILLEUR</b>	Shimano Ultegra Di2 12 speed - 50/34 - 11/34
<b>FRENI BRAKES</b>	Shimano 8170 Di2 DISK
<b>RUOTE WHEELS</b>	Fulcrum Wind 400 Carbon
<b>COPERTURE TIRES</b>	Vittoria Zaffiro
<b>MISURE SIZES</b>	46/49/52/54/56/58

## GEOMETRY



SIZE	A	B1	C	E	F	S	STACK	REACH
46	435	501	75,5°	70,5°	406	95	502	371
49	445	515	75°	71°	406	105	513	378
52	465	531	74°	71,5°	406	115	524	380
54	485	543	74°	72°	406	135	545	386
56	505	562	73,5°	72,5°	406	155	565	395
58	525	577	73,5°	72,5°	406	175	585	404

8AVIO ULTIMATE



It was the early 2000s when the "8avio" series was first born: racing bikes for pure road riders with exceptional performance. From this twenty-year tradition comes the new 8AVIO ULTIMATE, the roadbike that condenses the performance and rideability characteristics of the award-winning EMME4 SLI Italian Champion bike and an absolutely competitive price.

**8AVIO ULTIMATE** is the quintessence of road bikes: latest generation technology, refined design, high level performance perfect for climbs, fast and stable on downhills.

# ROAD BIKE



Conquer ou legendary climbs: Stelvio, Gavia, Mortirolo, Cancano...

	<b>8AVIO ULTIMATE</b>
DURATA Duration	<b>ROAD BIKE</b>
<b>1 giorno / 1 day</b>	<b>70,00</b>
<b>2 giorni / 2 days</b>	136,00
<b>3 giorni / 3 days</b>	198,00
<b>4 giorni / 4 days</b>	256,00
<b>5 giorni / 5 days</b>	310,00
<b>6 giorni / 6 days</b>	360,00
<b>7 giorni / 7 days</b>	406,00
<b>giorno agg. / extra day</b>	55,00

## **Sconti speciali per gruppi / Special discounts for groups**

Prezzi comprensivi di casco.  
Possibilità di assicurazione al costo di € 5,00 al giorno  
per copertura danni fino a € 300,00.

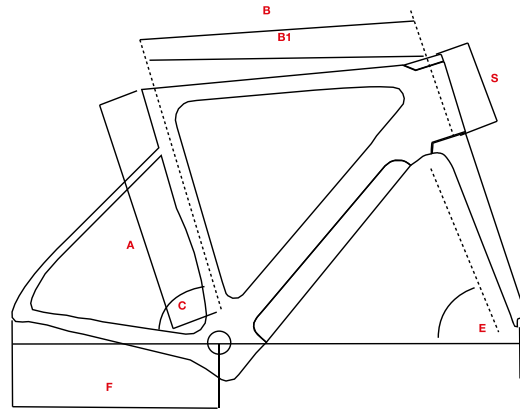
Prices including helmet.  
Possibility of insurance at a cost of € 5,00 per day  
for damage coverage up to € 300,00.

# E-ROAD BIKE

## BE90 PULSAR

<b>ANNO YEAR</b>	2024
<b>TELAIO FRAME</b>	E-Road CARBON thru axle integrated battery
<b>CAMBIO DERAILLEUR</b>	Shimano Ultegra Disk 11s
<b>MOTORE MOTOR</b>	Fazua 36V 250W chainwheel 34-50t
<b>BATTERIA BATTERY</b>	<b>Fazua 36V 250Wh</b>
<b>CASSETTA CASSETTE</b>	Shimano Ultegra 11/30 11s
<b>FRENI BRAKES</b>	Shimano Ultegra Disk
<b>RUOTE WHEELS</b>	Fulcrum Racing 800 Disk
<b>COPERTURE TIRES</b>	Vittoria Zaffiro 700x28
<b>MISURE SIZES</b>	47/50/53/55/58

## GEOMETRY



SIZE	A	B1	C	E	F	S	STACK	REACH
47	470	520	74,5°	71,5°	415	130	531	370
50	500	525	74	72°	415	130	531	370
53	530	545	73,7°	72,5°	415	130	553	382
55	550	560	73°	73°	415	130	572	389
58	580	590	72,5°	73,5°	415	130	615	397

BE90 PULSAR

DISCOVER  
THE BIKE



To create our e-road bike we started from what we know best: the Reparto Corse.

We have combined our frame tradition and racing bike experience with modern assistance system technologies to create a frame that combines perfectly with its electrical power system.

The **BE90 PULSAR** it's the perfect choice to enjoy road biking without thinking about the route. When facing uphill passages or when there are headwinds, the system offers the cyclist natural and fluid assistance. Suitable for road trips in complete comfort and safety, even over long distances.

# E-ROAD BIKE



Conquer Stelvio, Gavia, Mortirolo, Cancano and more with ease!

	<b>BE90 PULSAR</b>
DURATA Duration	<b>E-ROAD</b>
<b>1 giorno / 1 day</b>	<b>75,00</b>
<b>2 giorni / 2 days</b>	145,00
<b>3 giorni / 3 days</b>	210,00
<b>4 giorni / 4 days</b>	270,00
<b>5 giorni / 5 days</b>	325,00
<b>6 giorni / 6 days</b>	378,00
<b>7 giorni / 7 days</b>	424,00
<b>giorno agg. / extra day</b>	60,00

**Sconti speciali per gruppi / Special discounts for groups**

Prezzi comprensivi di casco.  
Possibilità di assicurazione al costo di € 5,00 al giorno  
per copertura danni fino a € 300,00.

Prices including helmet.  
Possibility of insurance at a cost of € 5,00 per day  
for damage coverage up to € 300,00.

# E-GRAVEL



The do-it all bike!

DURATA Duration	500 WH
<b>2 ore / hours</b>	28,00
<b>4 ore / hours</b>	43,00
<b>1 giorno / 1 day</b>	<b>66,00</b>
<b>2 giorni / 2 days</b>	128,00
<b>3 giorni / 3 days</b>	185,00
<b>4 giorni / 4 days</b>	238,00
<b>5 giorni / 5 days</b>	285,00
<b>6 giorni / 6 days</b>	330,00
<b>7 giorni / 7 days</b>	371,00
<b>giorno agg. / extra day</b>	50,00



BE85s ROAD | Bottecchia



BE84 MERAK CROSS | Bottecchia



# ROAD BIKE TOURS

Cycle with our guides and discover our legendary climbs!

DISCOVER NOW



Visita il nostro sito per  
scoprire tutte le offerte.

BOOK ONLINE



bormioski.eu

Via Btg. Morbegno, 25 - Bormio - Tel. +39 0342 904305 - info@bormiorental.com